

Masport®

EUROPEAN ROTARY MOWERS SERIES 18 - OPC

	<u>Part number</u>	<u>Model</u>	<u>Engine</u>
MASPORT	573922	300 ST	B & S Series 450
MASPORT	573905	300 ST	B & S Series 450
MASPORT	579805	350 ST	B & S Series 650

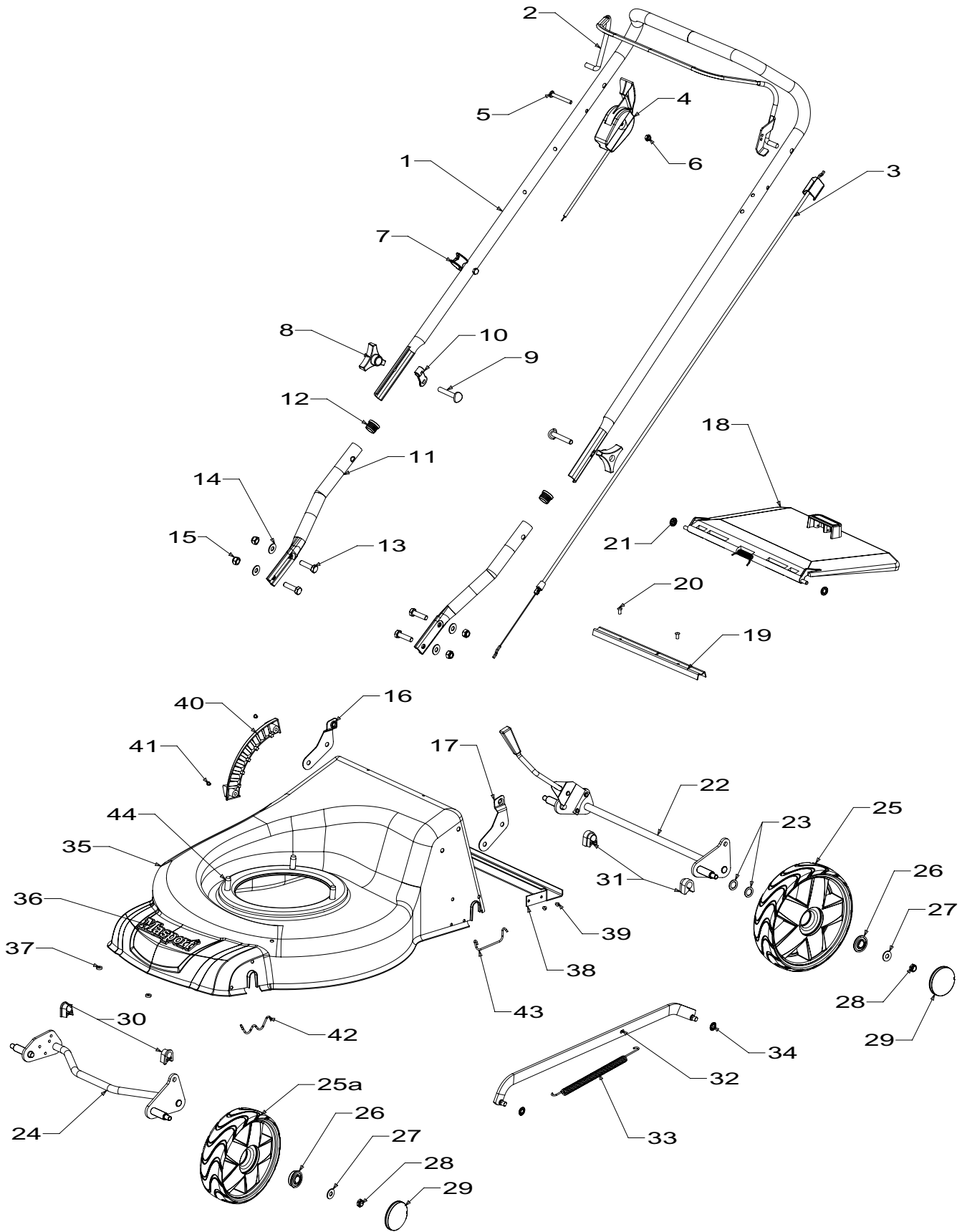
Month and Year of First Manufacture - May 2008





Powered by:
300ST : Briggs & Stratton Series 450
300ST : Briggs & Stratton Series 650

Masport



When ordering PLEASE QUOTE PART NUMBER & Description, NOT Illustration No.
Determine right or left hand side from standing in operating position (standing at handle)



Powered by:
 300ST : Briggs & Stratton Series 450
 300ST : Briggs & Stratton Series 650

Masport

Item No	Part No	Description	Qty	Item No	Part No	Description	Qty
1	781265	Handle-Upper, Upturned - Black	1	34	501365	Clip-Starlock, 5/16"	2
2	981740	Bail Arm Assy, OPC Flatnd	1			__==__	
3	581656	Cable- Engine, OPC Push	1	35	773608	Housing- Stl 18" XF Titanium	
4	583458	Control-Throttle, +Ve	1			(for 573905 & 579805) incl items 38&39	1
5	503604	Screw, Pan M6 x 45	1	35	973608	Housing- Stl 18" XF Met. Viper	
6	501764	Nut, Nyloc M6	1			(for 573922) incl items 38&39	1
7	703856	Comfort Start Kit	1	36	581240	Nameplate	1
8	574230	Knob- Plastic, M8 Insert	2	37	503150	Clip-Starlock, 5 Dia	2
9	574218	Bolt, SPH M8x53x35	2	38	583267	• Brace- Rear, EU	1
10	581527	Retainer-Control Cable, Handle	1	38	581369	• Rivet-Pop, 4 Dia x 3.2	4
		__==__		40	580025	Quadrant-Height Selector	1
11	980692	Handle-Lower, Stub - Black	2	41	503660	Rivet-Pop 4.8 Dia x 9.0	2
12	503319	Plug- 22mm, Plastic	2	42	529674	Retainer-Axle W, Front	2
13	503643	Screw, Set M8x25	4	43	579292	Retainer-Axle, Rear, Steel Deck	2
14	501606	Washer, Flat 8x19x1.6	4	44	580453	Screw, S/T 3/ 8" x 1 1/8"	3
15	501793	Nut, Nyloc M8	4			__==__	
16	579298	Bracket- Flap, RH	1			NOT ILLUSTRATED	
17	579297	Bracket- Flap, LH	1				
		__==__		569324		Owners Manual	1
18	782200	Flap Assy- Plastic, ST Deck	1				
19	583151	Dust Seal- Flap	1				
20	581369	Rivet- Pop 4.0x3.2	2				
21	503574	Clip- Starlock, 6mm	2				
		__==__					
22	783256	Axle Assy-Rear, Complete	1				
23	503301	Washer, Flt 1/2x3/4x18G	2				
24	983246	Axle-Front, 150mm	1				
25	579197	Wheel Assy-200mm BB Spoked	2				
		incl. item 26					
25a	579195	Wheel Assy-150mm BB Spoked	2				
		incl. item 26					
26	551212	• Bearing- Wheel	8				
27	501606	Washer, Flat 8 x 19 x 1.6	4				
28	503831	Nut- Nyloc, M8	4				
29	579198	Hub Cap, Button Spoked - Silver	4				
30	580030	Bush-Pivot, Front Axle	2				
31	580668	Bush-Pivot, Rear Axle, Steel deck	2				
32	980404	Rod Assy-Connecting, 150mm	1				
33	581463	Spring-Counter Balance	1				

Bold Text = Assemblies
Bulleted Text = Items included in Assemblies

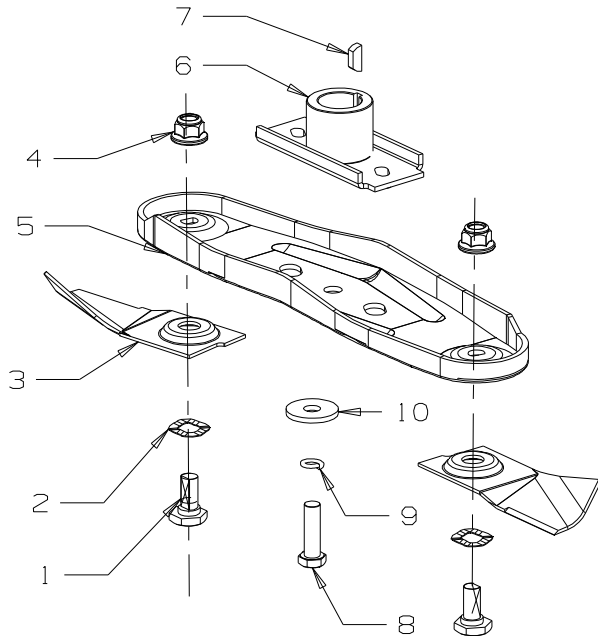
When ordering PLEASE QUOTE PART NUMBER & Description, NOT Illustration No.
 Determine right or left hand side from standing in operating position (standing at handle)



Powered by:
300ST : Briggs & Stratton Series 450
300ST : Briggs & Stratton Series 650

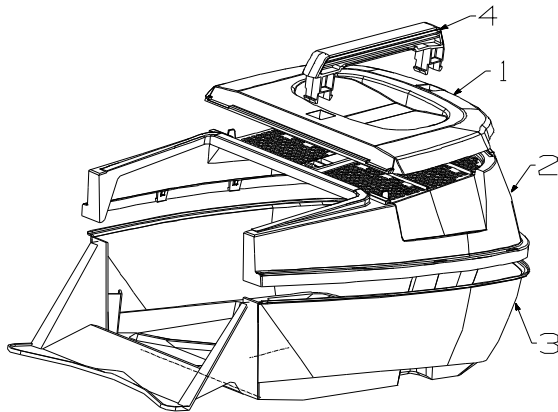
Masport

460mm Quick Cut Blade Assembly



Item	Part No	Description	Qty
1	581707	Bolt- Pivot, M10x22 Blade	2
2	580693	Washer, Wavy 13.4 x 24.2	2
3	583049	Blade, Quick Cut - 460mm EU	2
4	503672	Nut, Flange Nyloc M10	2
5	580653	Carrier, Blade Quick Cut	1
Series 450 engine:			
6	014173	Driver Assy-Blade - 7/8" Shaft	1
7	500636	Key, Woodruff - 5/8" x 5/32" x 1/4"	1
Series 650 engine:			
6	031460	Driver Assy-Blade - 25mm	1
7	503363	Key, Woodruff - 5/8" x 3/16" x 1/4"	1
8	581610	Screw,Set NF 3/8" x 1.25 NYG8	1
9	500204	Washer, Spring 3/8"	1
10	503667	Washer, Flat 9.75 x 30 x 3	1

Catcher Assembly Complete, Plastic - Part Number 980670



Item	Part No	Description	Qty
1	579120	Lid-Catcher	1
2	579117	Top-Catcher	1
3	983295	Bottom-Catcher	1
4	579119	Handle-Catcher	1

HEAD OFFICE - NEW ZEALAND

1 - 37 Mt Wellington Hwy
 Panmure, Auckland 6
 Phone: (64 9) 571 1200
 Fax: (64 9) 571 5864

HEAD OFFICE - AUSTRALIA

P.O. Box 533,
 Braeside 3195
 Phone: 1300 366 225
 Fax: 1800 035 594